



Model 38Y

Specifications

Model	33Y	36Y	38Y
Nominal Input Voltage	240V	240V	240V
Load Rating	265VA	480VA	720VA
Output Voltage	Line –voltage connection 0 to 100% of input		
Rated Current	0.9A*	1.75A*	2.5A
Maximum Current	1.1A*	2.1A*	3.0A
Frequency	47/65Hz	47/65Hz	47/65Hz
Approx weight (kg)	1.0	2.0	2.7

*Rating applies when fitted to heatsink 1.6mm thick x 300mm²

Claude Lyons encapsulated variable transformers rating from 265VA to 720VA.

A range of high quality autowound transformers designed for panel mounting into OEM equipment. Each unit is supplied with knob and dial kit.

CAUTION:

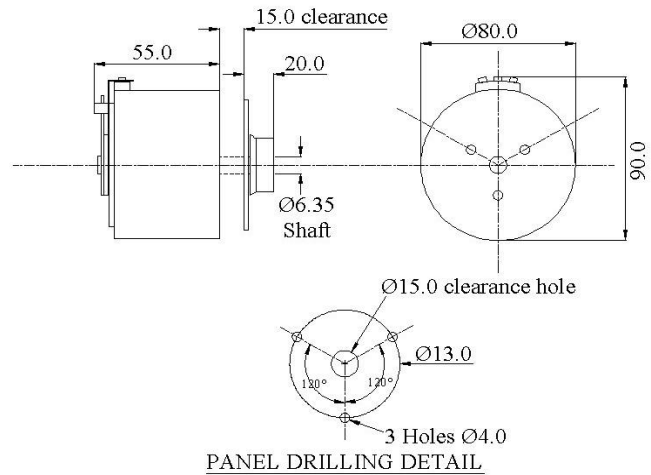
Varatrans operate at mains voltage and above. Installation, connection and maintenance must be carried out in accordance with good engineering practice by qualified personnel. Open models are intended only for installation as components and must never be used unprotected. Specification on data sheets must be considered carefully and the notes on installation and maintenance and any specific information supplied with the Varatran adhered to strictly.



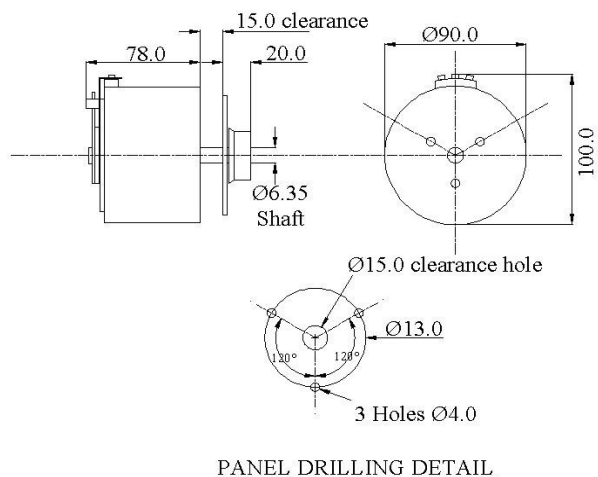
CLAUDE LYONS

Claude Lyons Limited
 Brook Road, Waltham Cross,
 Herts. EN8 7LR. UK
 Tel: + 44 1992 768888
 Fax: + 44 1992 788000
 Email: info@claudelyons.co.uk
 www.claudelyons.co.uk

33Y Dimensions



36Y Dimensions



38Y Dimensions

