

GANGED ASSEMBLIES (single units are listed on pages 10-11)

ANGLE OF ROTATION 320°
 DRIVING TORQUE -G2 2.9 kgcm
 (see page 5) -G3 4.3 kgcm

General Specifications, Definitions and Terminology }
 Circuits

Pages 3-5

Pages 6-8

TWO-GANG ASSEMBLIES for single-phase series operation †

† Two-gang assemblies can also be used on three-phase supply in open-delta connection (see page 7). Series-connected models cannot be used with earthed load.

	INPUT 480 VOLTS single-phase				INPUT 240 VOLTS single-phase		
	Type	Type	Type	Type	Type	Type	Type
Uncovered	401-G2	402-G2	403-G2	404-G2	401L-G2	402L-G2	403L-G2
Covered	401-G2E	402-G2E	403-G2E	404-G2E	401L-G2E	402L-G2E	403L-G2E
In Robust Wall-Mounting Enclosure	401-G2W	402-G2W	403-G2W	404-G2W	401L-G2W	402L-G2W	403L-G2W
INPUT VOLTAGE	480V	480V	480V	480V	240V	240V	240V
LOAD RATING (see page 5)	0.58 kVA	1.32 kVA	1.68 kVA	2.3 kVA	0.72 kVA	1.44 kVA	1.94 kVA
OUTPUT VOLTAGE							
<i>over-voltage connection</i>	0-550V	0-550V	0-550V	0-550V	0-275V	0-275V	0-275V
<i>line-voltage connection</i>	0-480V	0-480V	0-480V	0-480V	0-240V	0-240V	0-240V
RATED CURRENT (do not exceed in over-voltage connection)	1A	2.5A	3A	4A	2.25A	5A	6.75A
MAXIMUM CURRENT (line-voltage connection only — see page 5)	1.2A	2.75A	3.5A	4.75A	3A	6A	8.1A

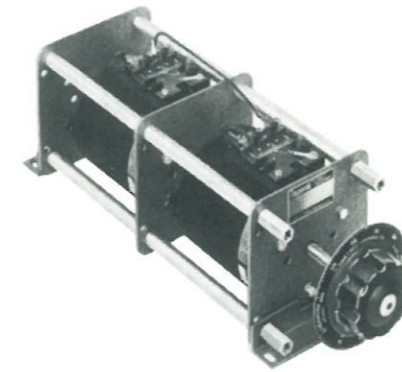
	INPUT 880 VOLTS single-phase		
	Type	Type	Type
Uncovered	402H-G2	403H-G2	404H-G2
Covered	402H-G2E	403H-G2E	404H-G2E
In Robust Wall-Mounting Enclosure	402H-G2W	403H-G2W	404H-G2W
INPUT VOLTAGE	880V	880V	880V
LOAD RATING (see page 5)	0.88 kVA	1.06 kVA	1.76 kVA
OUTPUT VOLTAGE			
<i>line-voltage connection only</i>	0-880V	0-880V	0-880V
RATED CURRENT	0.8A	1A	1.6A
MAXIMUM CURRENT (line-voltage connection only — see page 5)	1A	1.2A	2A



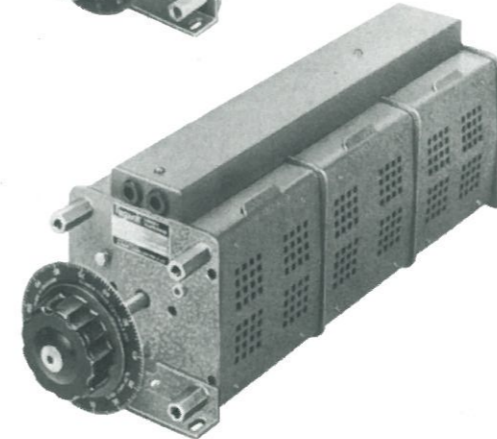
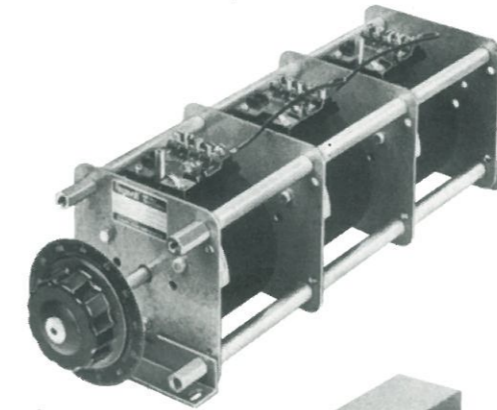
Three-gang assembly in 'W'-type robust enclosure.

THREE-GANG ASSEMBLIES for three-phase star operation

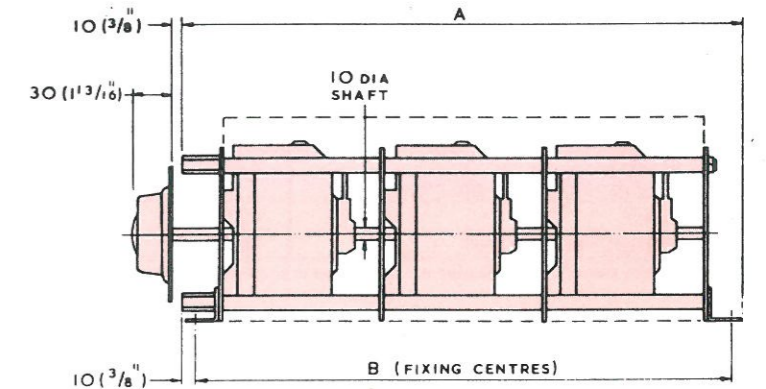
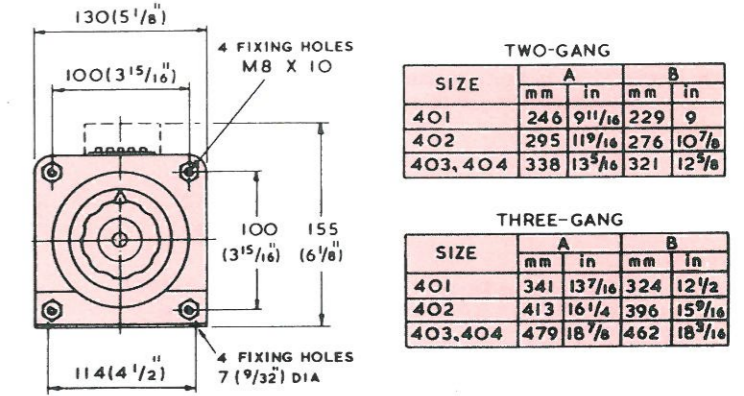
	INPUT 415 VOLTS three-phase				INPUT 208 VOLTS three-phase		
	Type	Type	Type	Type	Type	Type	Type
Uncovered	401-G3	402-G3	403-G3	404-G3	401L-G3	402L-G3	403L-G3
Covered	401-G3E	402-G3E	403-G3E	404-G3E	401L-G3E	402L-G3E	403L-G3E
In Robust Wall-Mounting Enclosure	401-G3W	402-G3W	403-G3W	404-G3W	401L-G3W	402L-G3W	403L-G3W
INPUT VOLTAGE (line-to-line)	415V	415V	415V	415V	208V	208V	208V
LOAD RATING (see page 5)	0.86 kVA	2 kVA	2.52 kVA	3.4 kVA	1.08 kVA	2.16 kVA	2.9 kVA
OUTPUT VOLTAGE (line-to-line)							
<i>over-voltage connection</i>	0-475V	0-475V	0-475V	0-475V	0-239V	0-239V	0-239V
<i>line-voltage connection</i>	0-415V	0-415V	0-415V	0-415V	0-208V	0-208V	0-208V
RATED CURRENT per phase (do not exceed in over-voltage connection)	1A	2.5A	3A	4A	2.25A	5A	6.75A
MAXIMUM CURRENT per phase (line-voltage connection only — see page 5)	1.2A	2.75A	3.5A	4.75A	3A	6A	8.1A



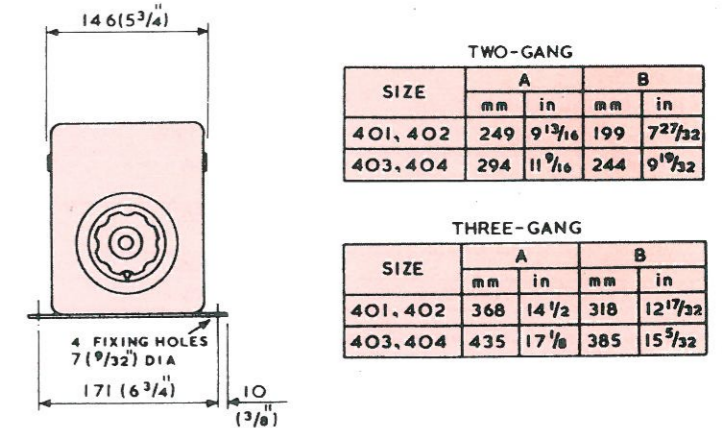
Two-gang



UNCOVERED AND 'E'-TYPE COVERED



'W'-TYPE ENCLOSURE



DIALS

Ganged assemblies are fitted with double-sided dials graduated 0-115% or 0-100 as appropriate on each side. Marking is clockwise one side and anti-clockwise the other, for use with dial attached to panel or moving with knob.

MOTOR DRIVE (page 21)

Motor drive is available for remote control and automatic applications, denoted by the suffix '-D' and numeral indicating speed, e.g. '-D1' for 1 rpm.

OTHER 400 FRAME MODELS
 50/60 Hz models for other voltages
 High-frequency models

Page 22

